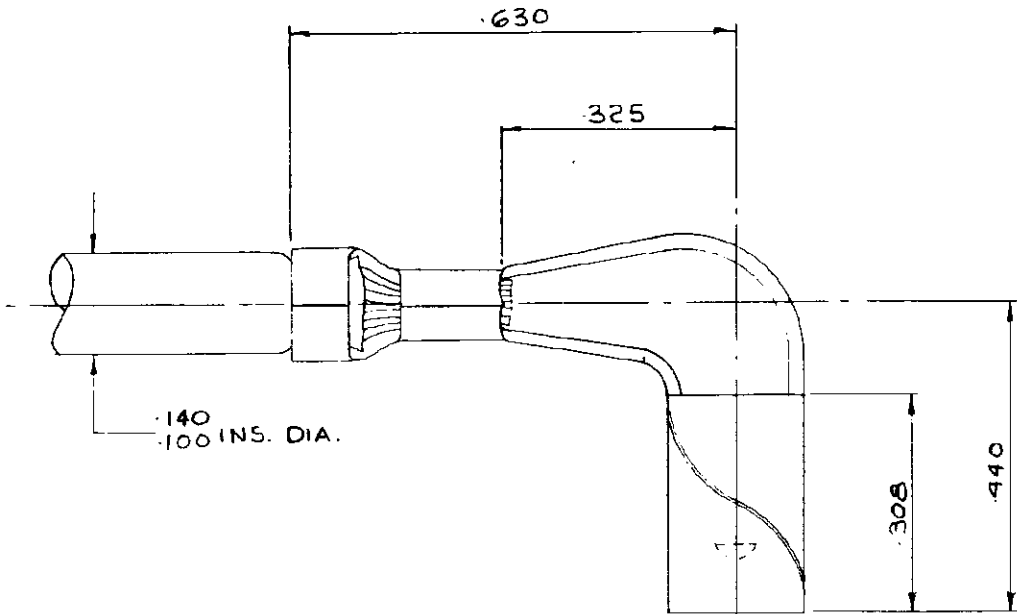
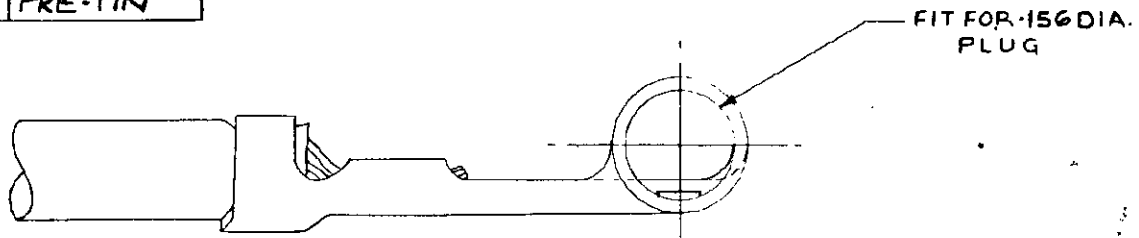


NUMBER C-150656

C AIRCRAFT-MARINE PRODUCTS (G.B.) LTD. 1963



1-150656-2	REVERSE REELED PRE-TIN
150656-2	PRE-TIN



CUSTOMER COPY
FOR REFERENCE ONLY

1-150656-1	REVERSE REELED
150656-1	NONE
PART NO	FINISH

DIMENSIONS IN INCHES DO NOT SCALE PRINT

PRINT DIST LTR REVISION RECORD ECA OR CHK DATE	MATERIAL .020 PHOS. BRONZE	HEAT TREAT ~	COATING OR PLATING ~	
	UNLESS REMOVE BURRS, BREAK SHARP EDGES 1/64 R. MAX OTHERWISE FRACTIONS ± 1/64 DECIMALS .000 = ± .005 SPECIFIED ANGLES: ± 0° 30' .0000 = ± .0005			
	FIRST USED 20-16	WIRE RANGE 20-16	CLASS WT-R	TYPE AUTOMATIC
	P.P.P. AREA			SCALE 4:1
	DR. Seagrave 20.6.63	CHK. [Signature] 20.6.63	LOC. A	NO. C-150656
	APP. [Signature] 20.6.63	NAME WIRE TERMINAL SHUR PLUG RECEPTACLE	AIRCRAFT-MARINE PRODUCTS (GREAT BRITAIN) LTD. LONDON, E.C.1.	